

Low Voltage (DC)  
 Brush motor **Brushless motor**  
 Miniature screw **Precision screw** Machine screw  
**1.0 - 4.0 mm**



# Delvo Brushless Type

## DLV02/12/16 Series

DLV02/12/16SL  
-CKE



DLV02/12/16SL  
-BKE



DLC16S



### Features

#### Brushless motors are incorporated for maximum tool life

- Ergonomic grip offers greater operator comfort and increased maneuverability
- Grounded bit system standard
- Clear plastic torque adjustment cover provided as standard accessory (DLV02/12/16SL-CKE)
- ESD (electrostatic discharge) protection structure (DLV02/12/16SL-BKE)
- Compliant with CE standards
- Controllers feature an overload detection function. When an overload is detected, the controller stops the screwdriver. Operation can be resumed after the screwdriver is unloaded, and the lever released (DLC16S)
- Universal input voltage from 100 to 240 V AC for easy installation (DLC16S)
- Variable speed adjustment enables you to select optimum screw tightening speed (DLC16S)

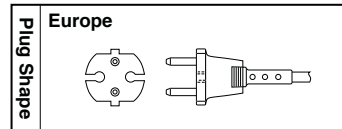
### Specifications

Model	Standard Type	DLV02SL-CKE	DLV12SL-CKE	DLV16SL-CKE
	ESD Protection Type	DLV02SL-BKE	DLV12SL-BKE	DLV16SL-BKE
<b>Starting Method</b>	Lever Start			
<b>Input Voltage</b>	20 - 30 V DC			
<b>Torque Adjustment</b>	Stepless			
<b>Torque</b> (Nm [lbf-in])	0.03 - 0.2 [0.3 - 1.8]	0.15 - 1.2 [1.3 - 10.6]	0.2 - 1.6 [1.8 - 14.2]	
<b>Free Speed</b> (min <sup>-1</sup> )	700 - 1000			
<b>Power Consumption</b> (W)	48			
<b>Screw Size</b> (mm)	Machine Screw	1.0 - 2.2	1.4 - 3.0	2.2 - 4.0
	Tapping Screw	1.0 - 2.0	1.4 - 2.6	2.0 - 3.0
<b>Mass</b> (g [lbs])	470 [1.04]			

Bit Type	Diagram

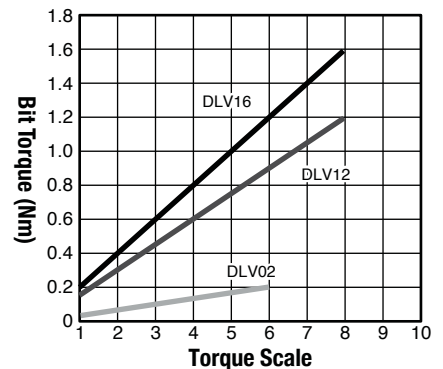
Model	DLC16S-WGB
<b>Input Voltage</b>	100 - 240 V AC, 50/60 Hz
<b>Output Voltage</b>	20 - 30 V DC
<b>Function</b>	Speed Control
<b>Mass</b> (g [lbs])	380 [0.84]



### Standard Accessories

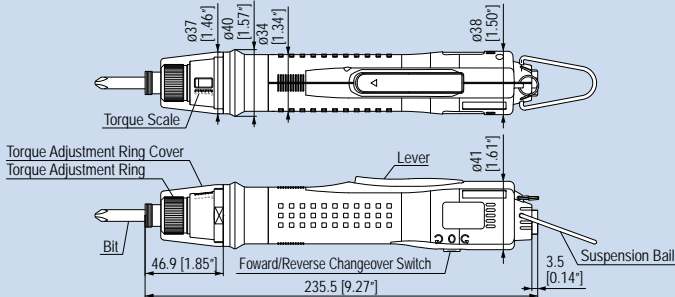
Model	DLV02	DLV12	DLV16
<b>Bit</b>	No.0 × 3.8 × 50	1	-
	No.1 × 3.8 × 50	1	1
	No.2 × 4.5 × 50	-	1
<b>Connection Cable</b>	1	1	1

### Torque Diagrams (for reference)

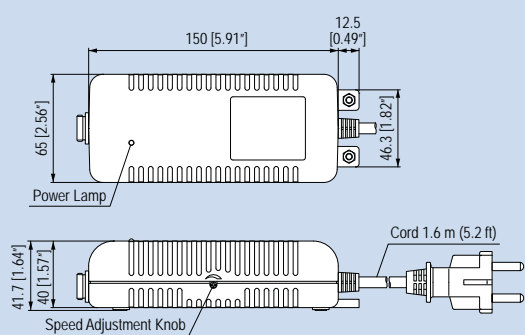


### External Dimensions

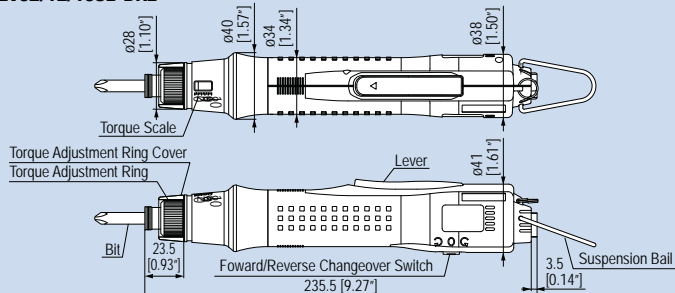
#### •DLV02/12/16SL-CKE



#### •DLC16S-WGB



#### •DLV02/12/16SL-BKE



unit: mm [inch]